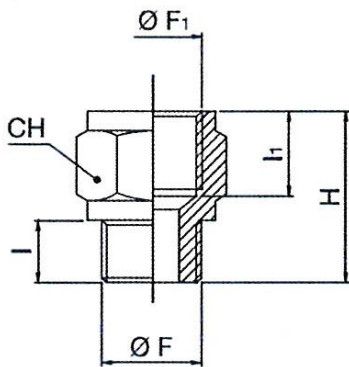


Standard screw fittings

Nickel-plated brass, »value line« Series

 Max. operating pressure 60 bar
 Max. operating temperature 150 °C


230.08-N-E

Extension, short, parallel

Art. No.	Type No.	F	F1	I	I1	H	CH
115510	230.01-N-E	M5	G 1/8	4.0	8.0	14.5	14
115511	230.02-N-E	G 1/8	G 1/8	6.0	8.0	16.0	14
115512	230.03-N-E	G 1/8	G 1/4	6.0	11.0	19.5	17
115513	230.04-N-E	G 1/4	G 1/4	8.0	11.0	21.5	17
115514	230.05-N-E	G 1/4	G 3/8	8.0	11.5	22.5	22
115515	230.06-N-E	G 3/8	G 3/8	9.0	11.5	23.5	22
115516	230.07-N-E	G 3/8	G 1/2	9.0	14.0	27.0	24
115517	230.08-N-E	G 1/2	G 1/2	10.0	14.0	28.0	26